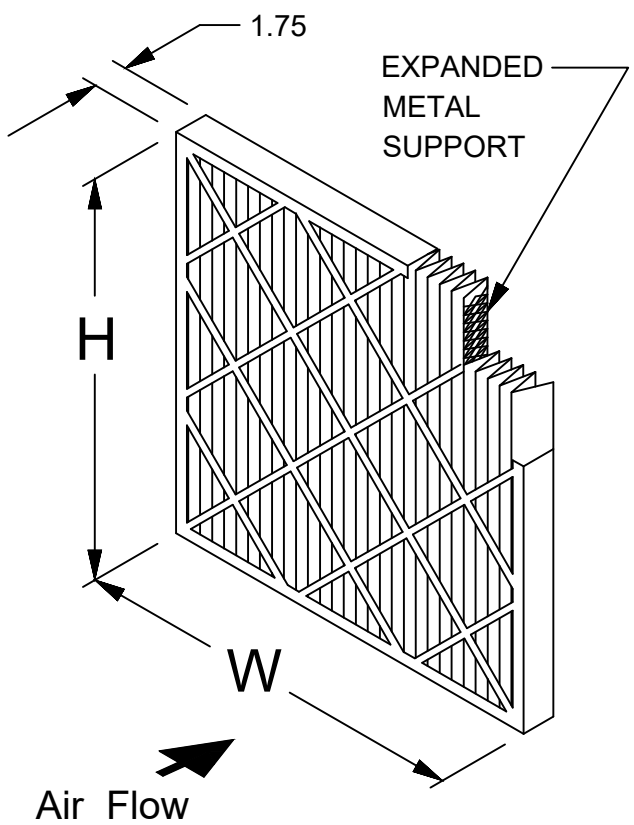


Nominal Size W x H x D (in)	Actual Size W x H x D (in)	Part Number	Capacity (CFM)	Resistance (in W.G.)	Media Area (sq ft)	Carton Qty	Weight per Carton (lbs)
10 x 20 x 2	9-1/2 x 19-1/2 x 1-3/4	102-500-011	700	0.25	5.6	12	8
12 x 12 x 2	11-1/2 x 11-1/2 x 1-3/4	102-082-035	500	0.25	3.9	12	8
12 x 20 x 2	11-1/2 x 19-1/2 x 1-3/4	102-082-002	850	0.25	6.5	12	8
12 x 24 x 2	11-3/8 x 23-3/8 x 1-3/4	102-500-012	1000	0.25	7.8	12	10
12 x 25 x 2	11-1/2 x 24-1/2 x 1-3/4	102-082-003	1050	0.25	8.1	12	10
14 x 20 x 2	13-1/2 x 19-1/2 x 1-3/4	102-500-013	975	0.25	7.9	12	10
14 x 25 x 2	13-1/2 x 24-1/2 x 1-3/4	102-500-014	1225	0.25	9.9	12	11
14 x 30 x 2	13-1/2 x 29-1/2 x 1-3/4	102-082-039	1450	0.25	11.5	12	13
15 x 20 x 2	14-1/2 x 19-1/2 x 1-3/4	102-500-015	1050	0.25	8.3	12	11
16 x 16 x 2	15-1/2 x 15-1/2 x 1-3/4	102-082-005	900	0.25	7.0	12	8
16 x 20 x 2	15-1/2 x 19-1/2 x 1-3/4	102-500-016	1125	0.25	8.8	12	12
16 x 24 x 2	15-1/2 x 23-1/2 x 1-3/4	102-500-053	1350	0.25	10.6	12	10
16 x 25 x 2	15-1/2 x 24-1/2 x 1-3/4	102-500-017	1400	0.25	11.0	12	13
16 x 30 x 2	15-1/2 x 29-1/2 x 1-3/4	102-082-018	1675	0.25	13.2	12	12
18 x 18 x 2	17-1/2 x 17-1/2 x 1-3/4	102-082-007	1125	0.25	9.1	12	10
18 x 20 x 2	17-1/2 x 19-1/2 x 1-3/4	102-082-015	1250	0.25	10.2	12	13
18 x 24 x 2	17-1/2 x 23-1/2 x 1-3/4	102-500-018	1500	0.25	12.2	12	15
18 x 25 x 2	17-1/2 x 24-1/2 x 1-3/4	102-082-009	1575	0.25	12.7	12	11
20 x 20 x 2	19-1/2 x 19-1/2 x 1-3/4	102-500-019	1400	0.25	11.1	12	13
20 x 24 x 2	19-1/2 x 23-1/2 x 1-3/4	102-500-020	1675	0.25	13.3	12	15
20 x 25 x 2	19-1/2 x 24-1/2 x 1-3/4	102-500-021	1750	0.25	13.9	12	15
20 x 30 x 2	19-1/2 x 29-1/2 x 1-3/4	102-082-010	2100	0.25	16.6	12	13
20 x 35 x 2	19-1/2 x 34-1/2 x 1-3/4	102-082-030	2450	0.25	19.4	12	15
24 x 24 x 2	23-3/8 x 23-3/8 x 1-3/4	102-500-022	2000	0.25	16.1	12	17
24 x 30 x 2	23-1/2 x 29-1/2 x 1-3/4	102-082-011	2500	0.25	20.0	12	14
25 x 25 x 2	24-1/2 x 24-1/2 x 1-3/4	102-500-050	2175	0.25	17.4	12	12



**Standard Construction:**

1. New White 100% Synthetic Media
2. Rust Resistant Expanded Metal Support on Downstream Side
3. Moisture Resistant Beverage Board Frame (24 point)
4. Double Wall Frame
5. 15 Pleats per Linear Ft.

**Notes:**

1. All Dimensions are in Inches Unless Otherwise Noted.
2. Drawing Not To Scale

**Specifications:**

1. Efficiency: MERV 11 (ASHRAE Standard 52.2-2017)
2. Final Resistance: 1.0" W.G.
3. Rated Velocity: 500 FPM
4. Classified per UL Standard 900
5. Max Operating Temp: 200 F ( 66C )
6. Tolerance: Height & Width - +/- 1/8"
7. Tolerance: Depth - +/- 1/16"

	<b>Multi-Pleat XL11 2" High Capacity</b>	REV	REVISION	BY / DATE
		LTR		
8401 Air Commerce Drive - Louisville KY 40219 Phone: (502) 634-4796 FAX: (502) 637-2280	Drawn By: Dave Miller Date: 23 August, 2022	Revision		